

Packing List

In addition to this guide, the package includes the following items:



VP-4231-CE7



Panel clip * 4



M4 x 30L Screw * 4



microSD Card and microSD to SD Adapter



Touch Pen

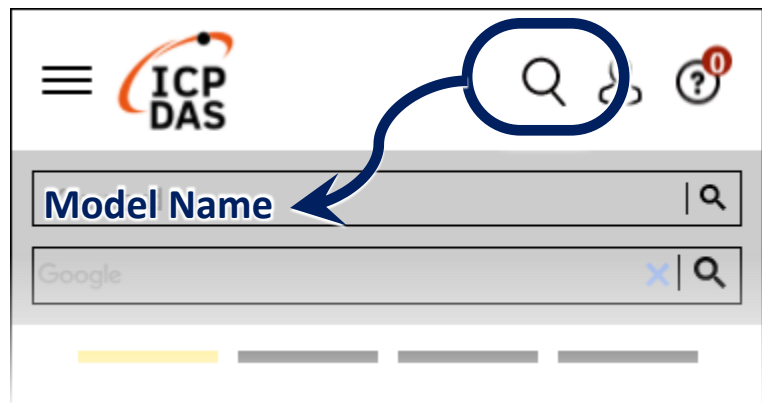


Screw Driver

Resources

How to search for drivers, manuals and spec information on ICP DAS website.

- For Mobile Web



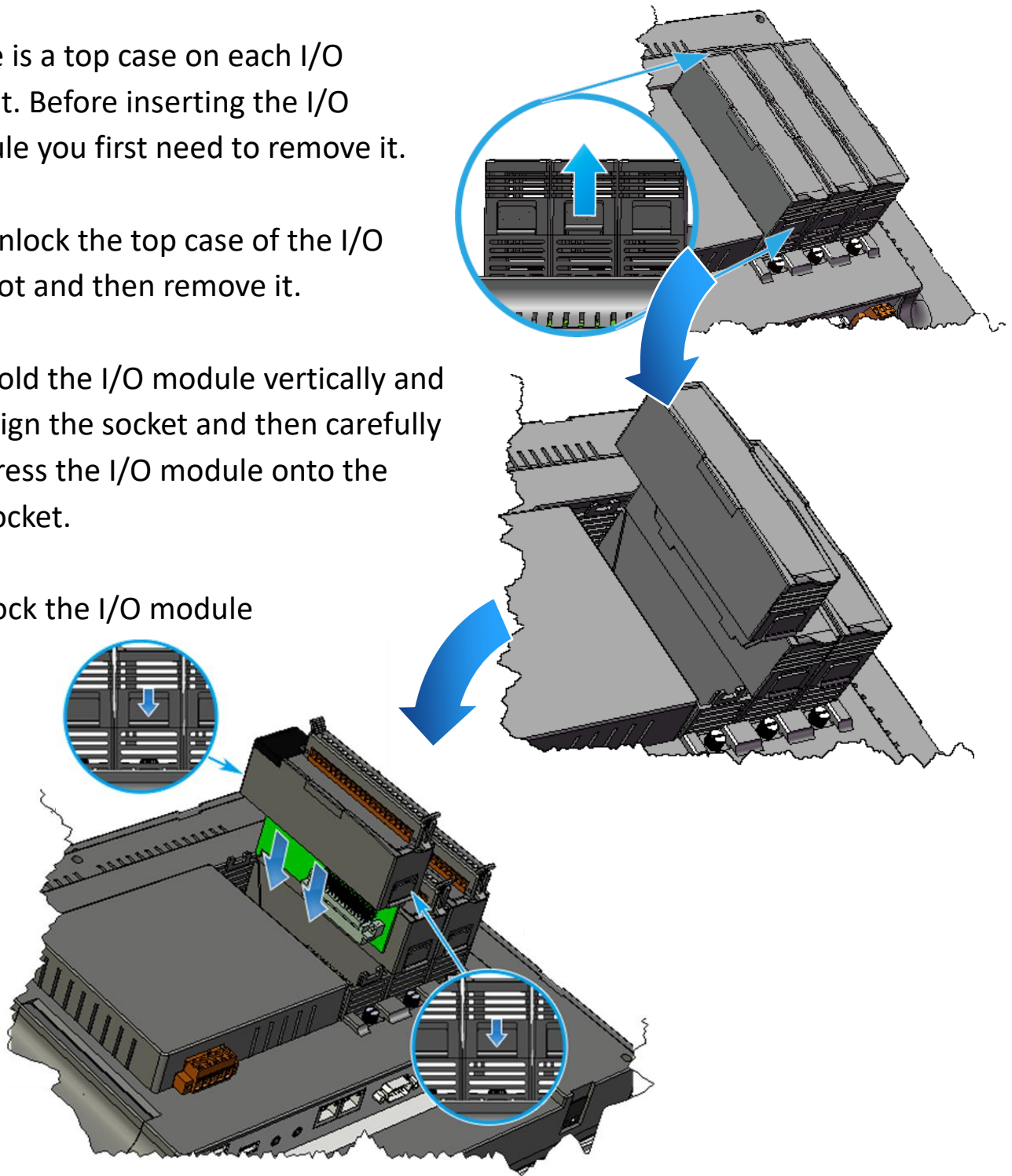
- For Desktop Web



1 Inserting the I/O Module

There is a top case on each I/O socket. Before inserting the I/O module you first need to remove it.

- 1) Unlock the top case of the I/O slot and then remove it.
- 2) Hold the I/O module vertically and align the socket and then carefully press the I/O module onto the socket.
- 3) Lock the I/O module



Tips & Warnings



If you do not expand the I/O module full, please keep the top case of the unused slot to protect the backplane from dirt, dust and damage from foreign objects.

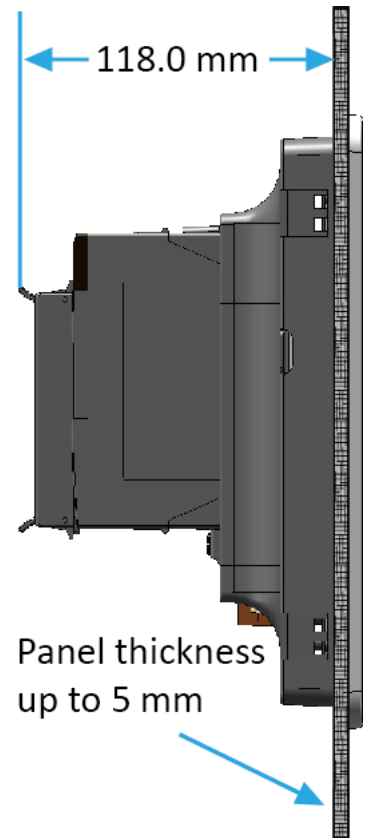
2 Mounting the VP-4231-CE7

The VP-4231-CE7 can be mounted on a panel of maximum thickness 5 mm. Adequate access space can be available at the rear of the instrument panel for wiring and servicing purposes.

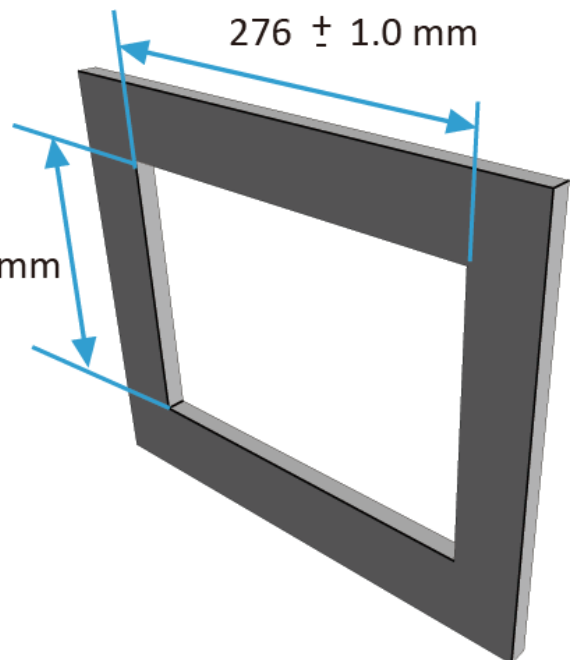
Tips & Warnings



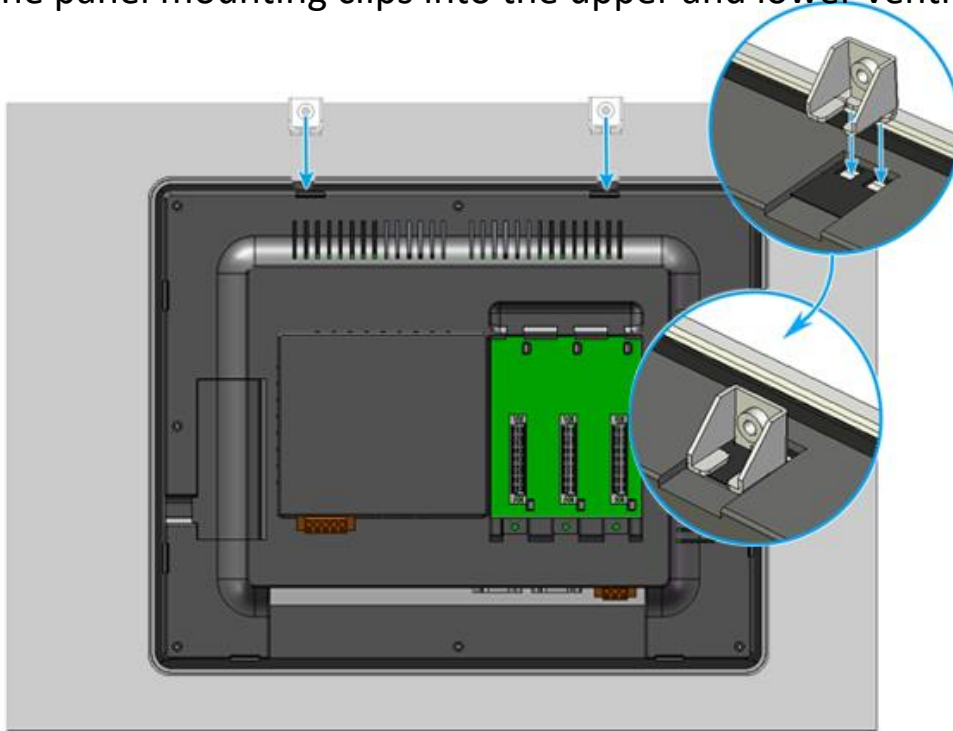
To ensure proper ventilation for the VP-4231-CE7, leave a minimum of 50 mm space between the top and bottom edges of the VP-4231-CE7 and the enclosure panels.



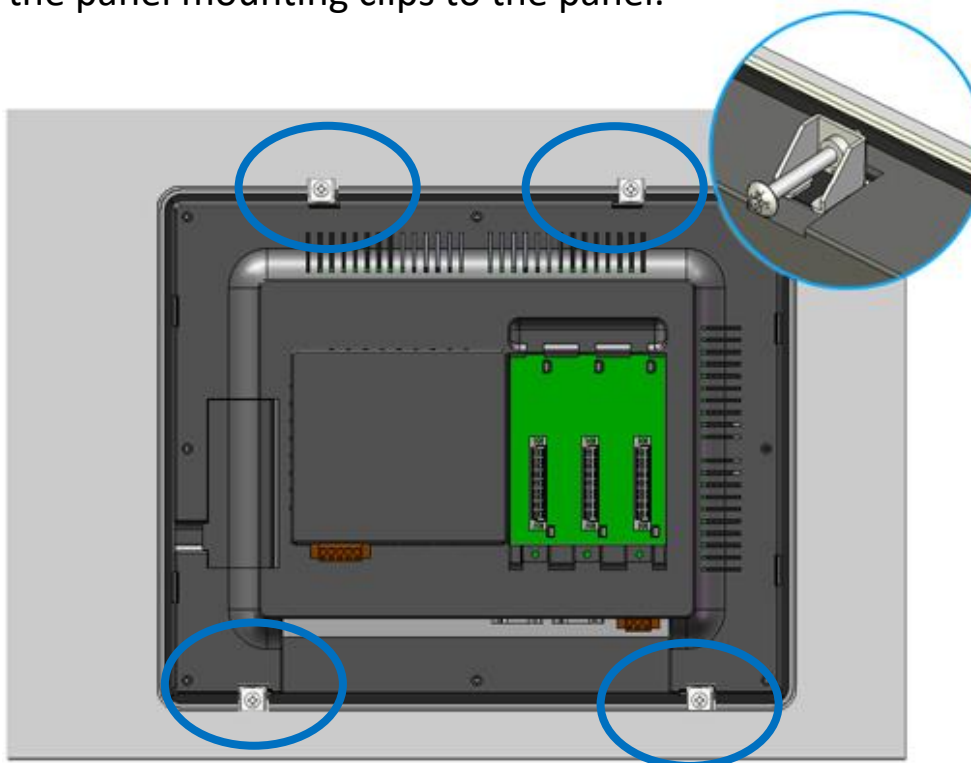
- 1) Prepare the panel and cut the hole to the specified size
- 2) Attach the VP-4231-CE7 to the cut-out hole



3) Insert the panel mounting clips into the upper and lower ventilation holes



4) Screw the panel mounting clips to the panel.



Tips & Warnings

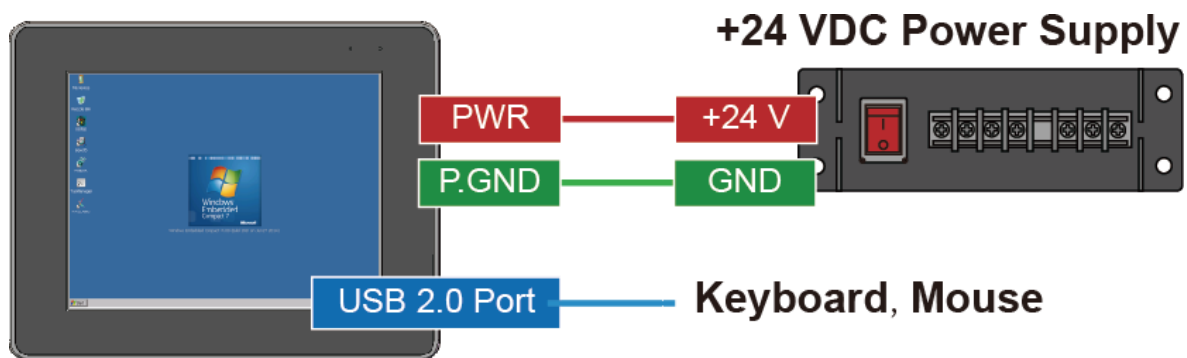


Recommended Screw Torque: 3.4 ~ 4.5 kgf-cm.

3 Connecting to PC, Monitor and Power Supply

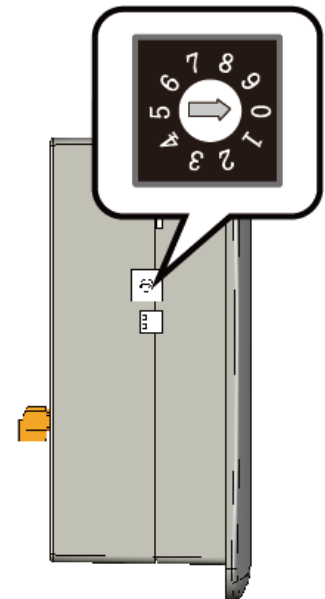
The VP-4231-CE7 provides a variety of communication interface to suit a range of application. Here is a simple application for using the VP-4231-CE7.

- 1) Connect the positive terminal (+) of the power supply to the terminal PWR1/2 and the negative terminal (-) of the power supply to the P.GND
- 2) Connect the USB mouse or the USB keyboard to the USB port



4 Configuring the Boot Mode

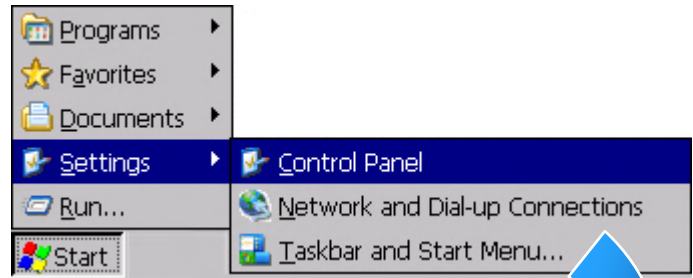
Before starting any installation, be sure that the switch is placed in the "0" position.



5 Changing the User Interface Language

The Regional and Language Settings is a Windows CE functionality that allows users to change the VP-4231-CE7 user interface with your native language.

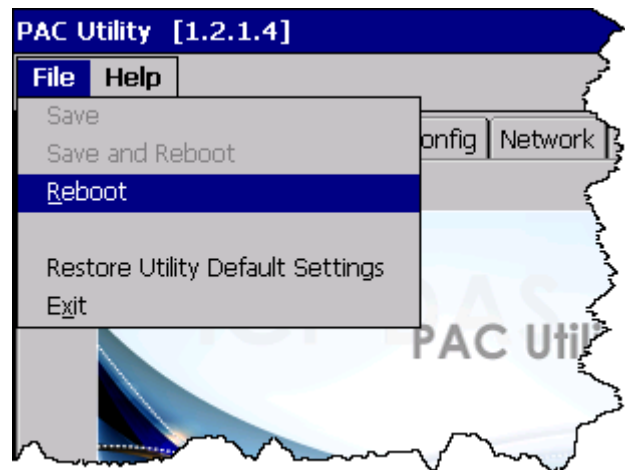
- 1) Click Start menu, point to Settings, click Control Panel, and then click Regional Settings



- 2) Click User Interface Language tab, choose to your local language, and then click OK button



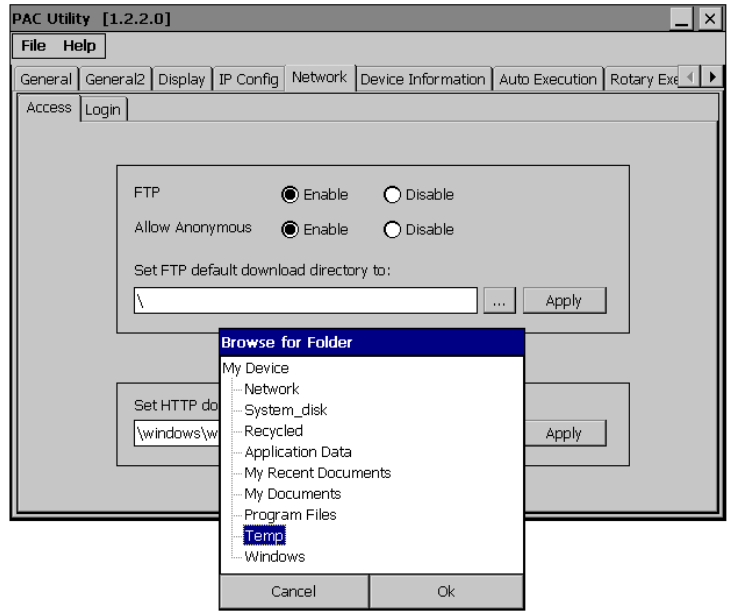
- 3) Double-click the PAC Utility on the desktop, and then reboot the VP-4231-CE7 for changes to take effect



6 Using PAC Utility to Manage the VP-4231-CE7

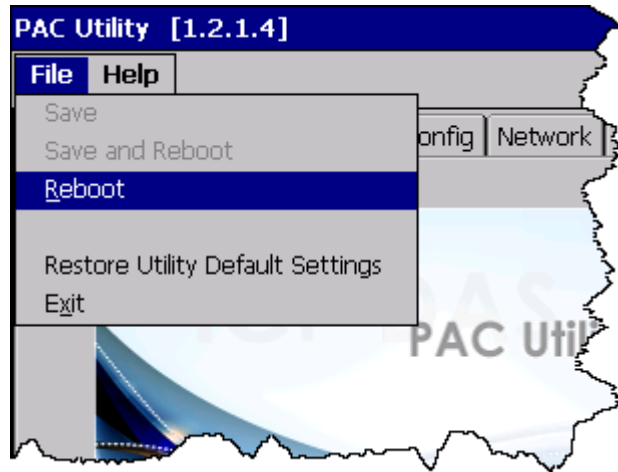
The PAC Utility is a collection of the VP-4231-CE7 system tool that allows users to manage and configure the VP-4231-CE7 quickly and easily.

1) Double-click the PAC Utility on the desktop



2) Configure IP address (DHCP), FTP Server, Auto Execution files..., etc

3) Reboot the VP-4231-CE7



7 Using DCON Utility Pro to Configure the I/O Module

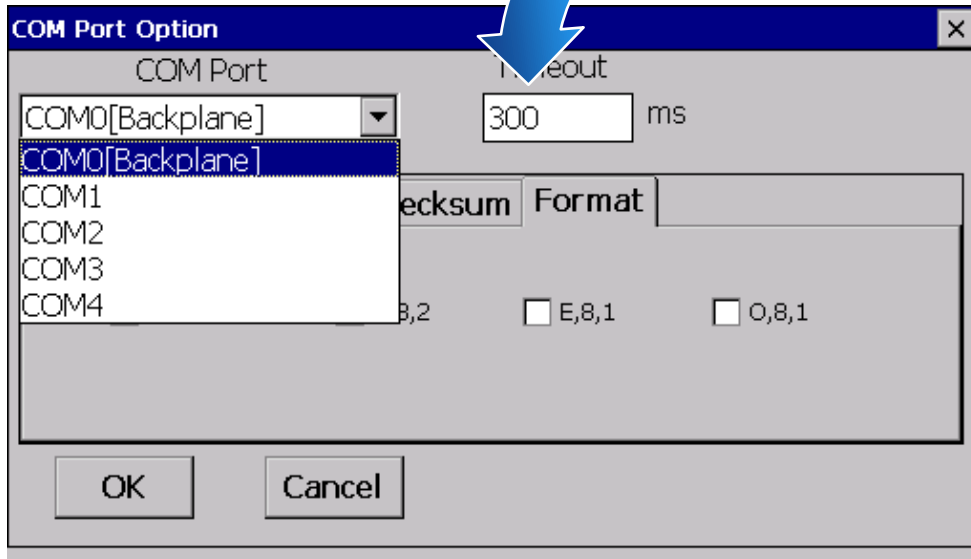
DCON Utility Pro allows users to configure and manage the I/O modules via Ethernet or serial ports (RS-232/RS-485).

1) Double-click the DCON_Utility_Pro on the desktop



2) Click the  button

3) Configure the communication settings



4) Click the  button

5) Click the module name to configure the I/O module

